



53/69 M.5 Nongbon , Praves Bangkok 10250
Email: admin@vskconsummate.com , vskcons@ksc.th.com

Tel: 02 747-2155 086-341-3755



Series Microscope Zoom
Stereo Microscope



SZMN

Optical Enlargement:3.5X-90X
Eyepiece:High Eyespots Wide-Field Eyepiece WF10X/20,WF20X/10
Objective Lens:0.7X-4.5X
Working Distance:100mm-165mm
Auxiliary Lens:0.5X/165mm

www.vskconsummate.com

Superior optical system
Reliable operation mechanism
Complete accessories
Diverse combination

—excellent stereo series microscopes cater for the demand in the field of biological, medical, research, electronic industry for testing

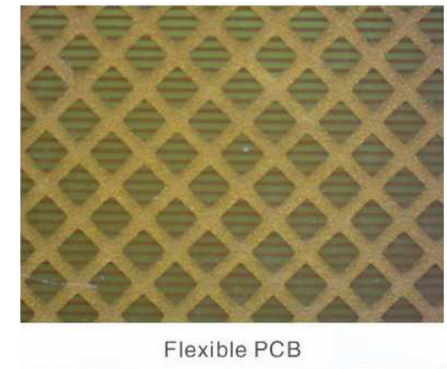
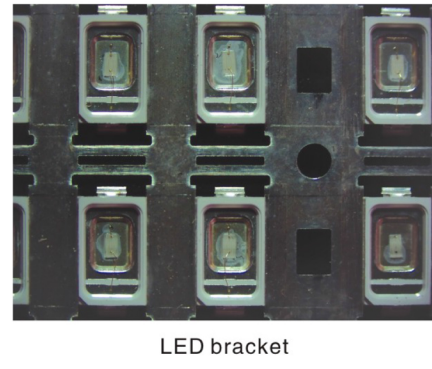
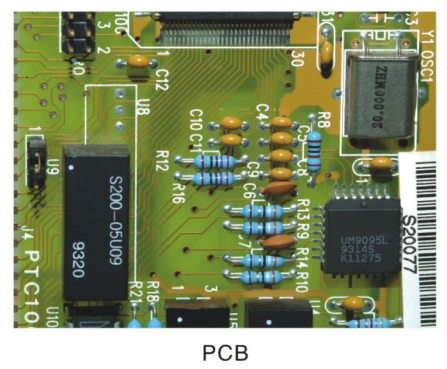
Viewing head

High eye-point, wide field eyepieces, with adjustable diopter (± 5) avoid the phenomenon of margin breezing and can help to find object fast, greatly improved comfortableness of observation. Reticle assembled, interpupillary distance can be adjusted between 54mm–76mm (SZM/SZMN series 54mm–75mm). Newly designed ST60N/ST70/SZMN series have better properties and modern appearance.

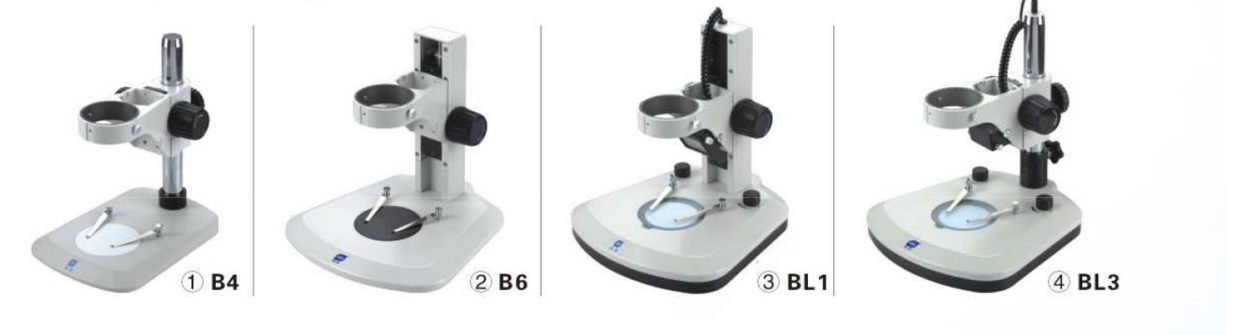


Optics parameters of eyepieces:

Eyepiece	Standard objective		Auxiliary objective 0.5X		Auxiliary objective 1.5X		Auxiliary objective 2X	
	Working distance 100mm		Working distance 165mm		Working distance 45mm		Working distance 30mm	
	Magnification	View field	Magnification	View field	Magnification	View field	Magnification	View field
10X/20mm	7.0X	28.6mm	3.5X	57.1mm	10.5X	19mm	14X	14.3mm
	45.0X	4.4mm	22.5X	8.9mm	67.5X	3mm	90X	2.2mm
15X/15mm	10.5X	21.1mm	5.25X	42.8mm	15.75X	14.3mm	21X	10.7mm
	67.5X	3.3mm	33.75X	6.7mm	101.25X	2.2mm	135X	1.7mm
20X/10mm	14.0X	14.3mm	7.0X	28.6mm	21.0X	9.5mm	28X	7.1mm
	90.0X	2.2mm	45.0X	4.4mm	135.0X	1.5mm	180X	1.1mm



Base & stand



Digital video device

